



BIOMAK

FM 100 MASSAGE BED

electronically controlled



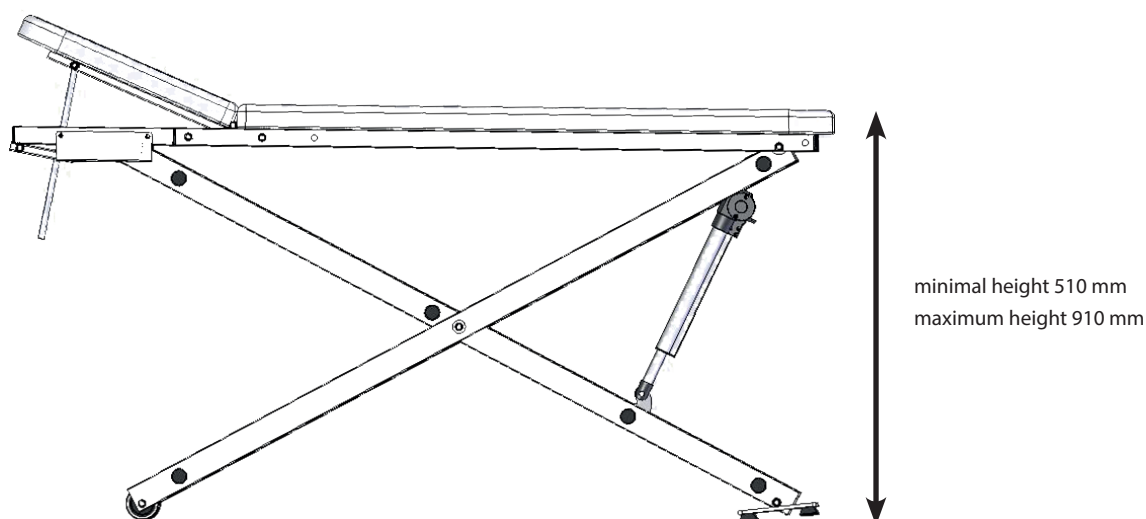
USER MANUAL

Technical Specifications:
power supply 230 V, 50 Hz
input power 100 W

total weight 70 kg
bed length 1980 mm
head support length 560 mm
minimal height 540 mm
maximum height 945 mm
width 680 mm
load capacity 150 kg

HEIGHT ADJUSTMENT

The bed has been designed to be used for professional massage. Electronically adjustable height, manually adjustable head support and armrests. Wheels make moving the bed easy. Wheels can be blocked to ensure stability of the bed when providing treatment.



Height adjustment

Bed height is electronically controlled by means of buttons located on both sides of the bed as indicated by arrow in the picture. By pressing the button you may electronically adjust bed height.



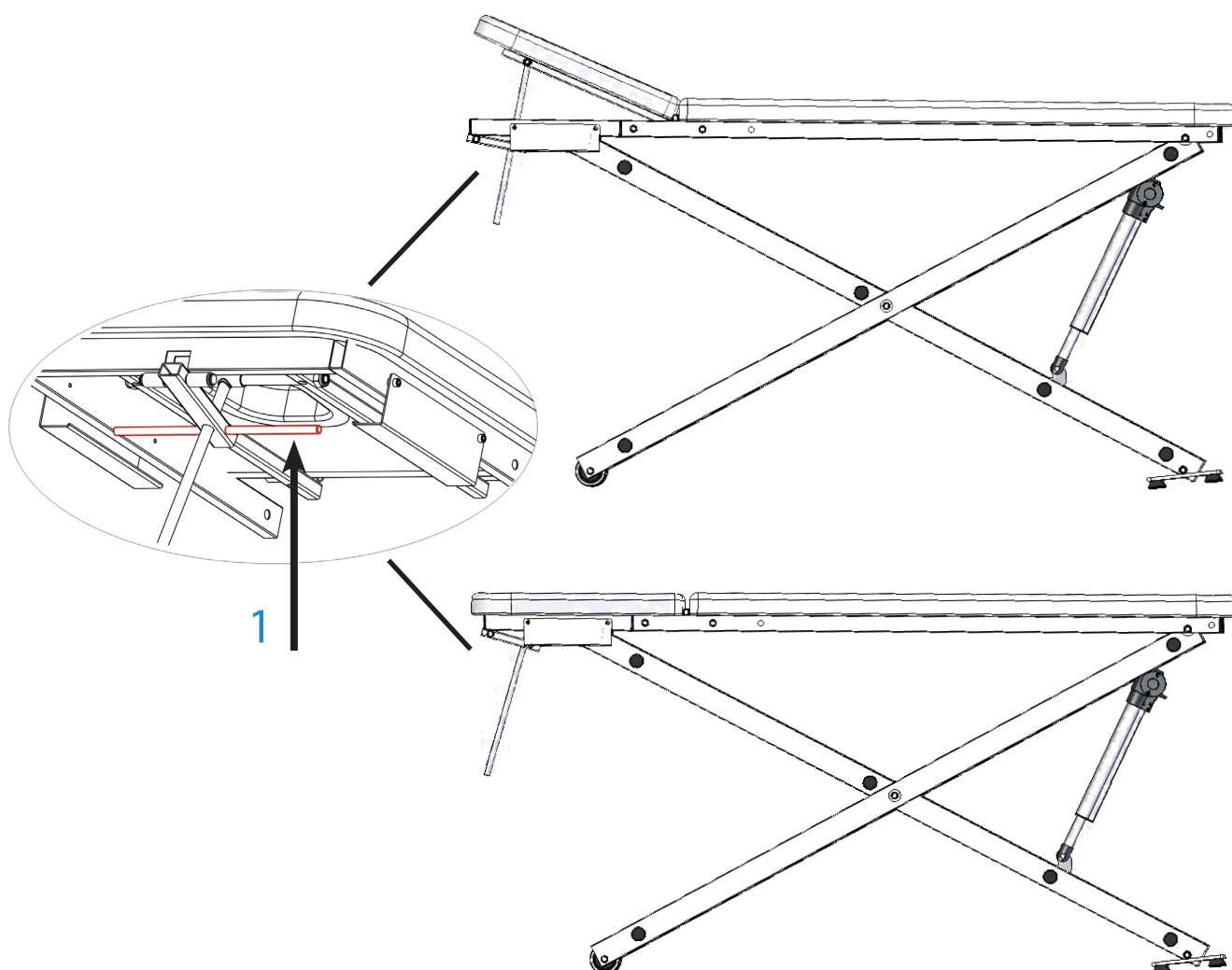
HEAD SUPPORT SETTING AND ADJUSTMENT

Head support setting and adjustment

The method of setting up and adjusting the head support is easy, however caution must be maintained when changing its position and it is necessary to make sure that the blocking mechanism has coupled!

The blockade is easy to access from all sides.

In order to lift the head support, move it up carefully without touching the blockade. In order to lower the head support, hold the head support and simultaneously lift the blockade (arrow 1), which allows to lower the head rest.



Maintenance

The bed can be kept clean easily. Certificated, leather-like material can be cleaned with a damp cloth and water with soap. After each use disinfection should be carried out, using agents such as Spitaderm or 70% salicylic spirit. We recommend using removable bed covers BIOMAK, which make it easier to maintain hygiene.

SAFE USE

Safe use:

1. Do not overload. Permissible weight of person using the bed – 150 kg.
2. Do not sit on lifted head support.
3. Protect from moisture and dust.

05-820 Piastów
ul. Słońskiego 13
tel/fax (0-22)723-69-54
tel (0-22) 723-70-72
e-mail: biomak@biomak.pl
www.biomak.eu

